

**W** White-Westinghouse

**INTERNATIONAL**

## Factory Parts Catalog

Product No.	MRTG23V7PW1
Series	
Color	white
Volts	220
Wiring Diagram	241845601
Owner's Guide	808158901
Market	Export
Energy Guide	242224765
Service Data Sheet	240506509
Installation Instructions	240568304

### **INTERNATIONAL**

P.O. BOX 8020  
CHARLOTTE, NC 28262

### **TOP-MOUNT REFRIGERATOR**

Model No.  
**MRTG23V7P**

Publication No.  
**5995649117**  
14/07/24  
(EN/SERVICE/CW)  
390



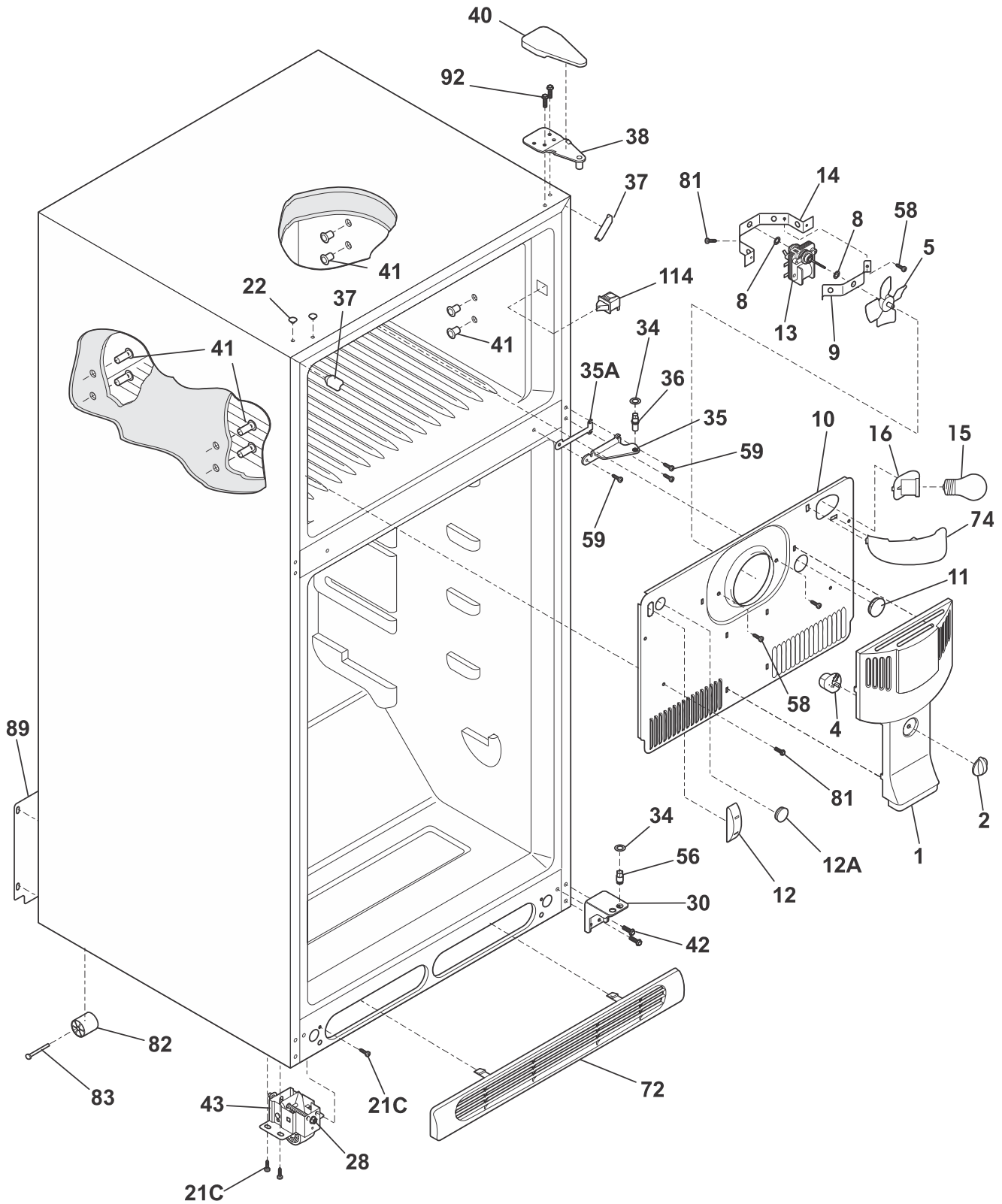
---

**DOOR**


---

POS. NO	PART NO.	DESCRIPTION
1 #	242193205	Gasket-frzr door, white, magnetic
2 #	242193213	Gasket-refr door, white, magnetic
7	240338303	Door, dairy, clear
10	240381301	Plug-button, white, hinge brg hole, (2)
11	241798401	Door-frzr, white, complete assy
12A	137095500	Anchor, nameplate
13	240312403	Door Stop, white, ref
13A	240312414	Door Stop, white, frzr
14	240494001	Plug-button, white, cab liner holes
15	241798551	Door-refr, white, complete assy
18	242084804	Handle-door, white, refr-RH/frzr-LH
18A	242084801	Handle-door, white, refr-LH/frzr-RH
21	240383406	Screw, truss hd quad, #10-16 x .500, zinc
21C	218252201	Screw, #8 truss hd, 10-32CA x 0.500
22	240527101	Bearing-hinge, natural color
25	5308000716	Dish, butter
27	240396302	Snugger, paddle type
27A	240396102	Retainer, tall bottle
48	240338101	Bin-door
48A	240338202	Bin-door, gallon
49	240495805	Bin-door, pseudo, frzr
58	240433204	Screw, hex washer head, 8-18 x 5/16
79	218755401	Screw-set, 10-32 x 0.375
80	218755504	Screw, shoulder, #10-AB, handle mounting

**CABINET**



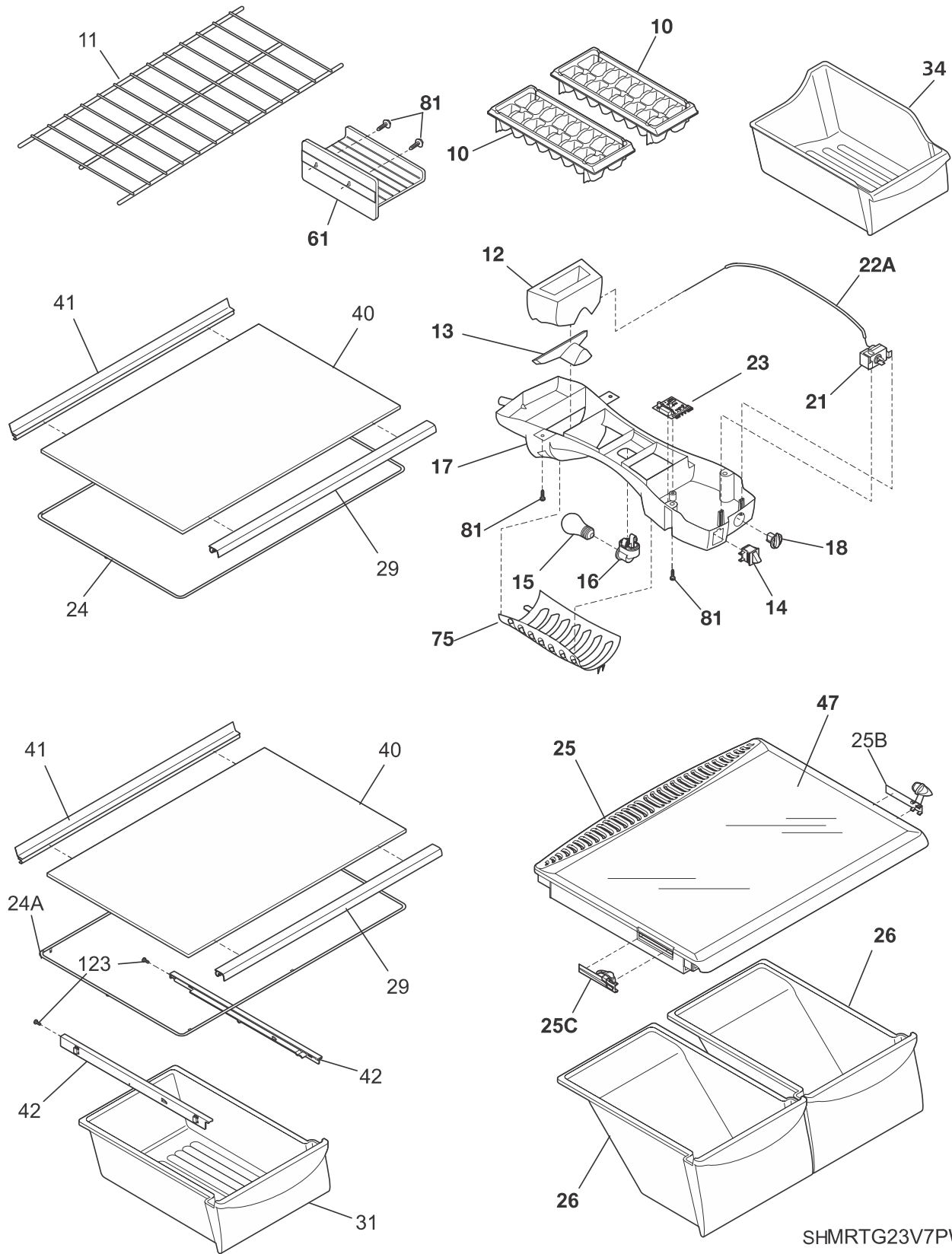
**CAFGHT1832PE0**

## CABINET

---

POS. NO	PART NO.	DESCRIPTION
1	240355407	Cover-fan
2	240367001	Knob-damper control
3	5303001028	Nut, push-on
4	240367401	Damper-fan cover
5	5308000010	Fan Blade, red, evaporator fan
8	242014101	Bushing-motor mtg, (2)
9	5303292396	Bracket-motor mtg, front
10	240313611	Cover-evap coil, w/light
10*#	241832401	Harness-wiring
10*	240568606	Seal-coil cover
11	5303208309	Plug-hole, factory test
12	242193602	Plug-hole, icemaker
12A	240374401	Plug-wtr inlet tube, round, 1"
12A*	241586701	Plug, round, foam, ice maker, water inlet
13 #	241832301	Motor-evap fan
13*	215474201	Washer, "slinger", nylon, evap fan shaft
14	5303292397	Bracket-motor mtg, rear
14*	240433204	Screw, hex washer head, 8-18 x 5/16
15 #	218095502	Light Bulb/Lamp
16	218971501	Socket-light/lamp
21C	218252201	Screw, #8 truss hd, 10-32CA x 0.500
22	215774901	Plug-button, white, upr hinge holes
28	240335502	Bolt-roller adj, hex washer head, 1/4-20 x 4.020, (2), special
30	240314011	Bracket-lower hinge, zinc
34	240311303	Washer, hinge, nylon, (2)
35	240313806	Bracket-ctr hinge, zinc
35A	240336802	Spacer-hinge, center, white
36	240516402	Pin-center hinge
37	242161201	Trim-cabinet corner, white, (2)
38	240313703	Bracket-upper hinge
40	240354401	Cover-upper hinge, white
41	5308009759	Grommet, shelf mtg, 1.25", LH, (4)
42	240578902	Screw, hex head, 1/4-20 x 5/8
43	240335005	Roller Assy, adjustable, front, (2)
56	240516502	Pin-lower hinge
58	5304456287	Screw, hex washer head, 8-15A x 0.500
59	240442706	Screw-#10-32 X 3/4, zinc
72	241839405	Grille/Kickplate, white
74	240354302	Shield-light, frzr
81	5304455650	Screw, hex washer head, 8-15A x 0.625, Low Profile
82	5304418225	Roller, compressor base, rear, (2)
83	5304455655	Rivet, flat head, 1/4 OD x 1-3/4, roller pin
89	241736402	Cover-access, w/label
89*	241500303	Screw, hex washer head, 8-18AB x 1/2
92	241710601	Screw, hex washer hd, 1/4 x 7/8, hinge mtg
114#	240505801	Switch, light/lamp
*	5303321319	Paint, touch-up, white

### SHELVES



SHMRTG23V7PW0

## SHELVES

---

POS. NO	PART NO.	DESCRIPTION
10	215667501	Tray, ice cube, plastic
11	240358006	Shelf, freezer, full-width, wire
11*	241705801	Spacer-shelf
11*	5303299664	Spacer, shelf
12	240545901	Diffuser-air, top
13	240362601	Diffuser, air, bottom
14 #	240505801	Switch, light/lamp
15 #	218095502	Light Bulb/Lamp
16 #	218971501	Socket-light/lamp
17	240368103	Box-control, front
17*#	242081702	Wiring Harness, control box
18	240360801	Knob, temp control
21 #	5304458021	Control, temperature
22A	240468201	Tube, sensor sleeve, 31 inch, plastic, white
23 #	242011004	Control-defrost, adaptive timer, 220/240 V, PC board
23*	5304455649	Screw, pan hd, 6-20 x 0.438
24	240372407	Frame-shelf, sliding, full width
24A	240372408	Frame-shelf, sliding, full width, w/hanger tabs
25	240364790	Cover-crisper pan
25B	241613501	Control-humidity, RH
25C	241613502	Control-humidity, LH
26	240343803	Pan, crisper, (2)
29	240357704	Trim-shelf, front
31	240530803	Pan-meat, w/o graphics, clear
34	240385201	Container, ice bin
40	240350621	Glass-shelf, 23.78 x 18.02, full shelf
41	240561502	Trim-shelf, rear
42	240530701	Track, meat pan hanger, RH
47	240350609	Insert-pan cover, glass
61	215781501	Shelf, ice tray mount, wire
75	240412701	Shield, light
81	5304455650	Screw, hex washer head, 8-15A x 0.625, Low Profile
123	215005101	Screw, hanger/rtr mtg, 8-10 x 7/16





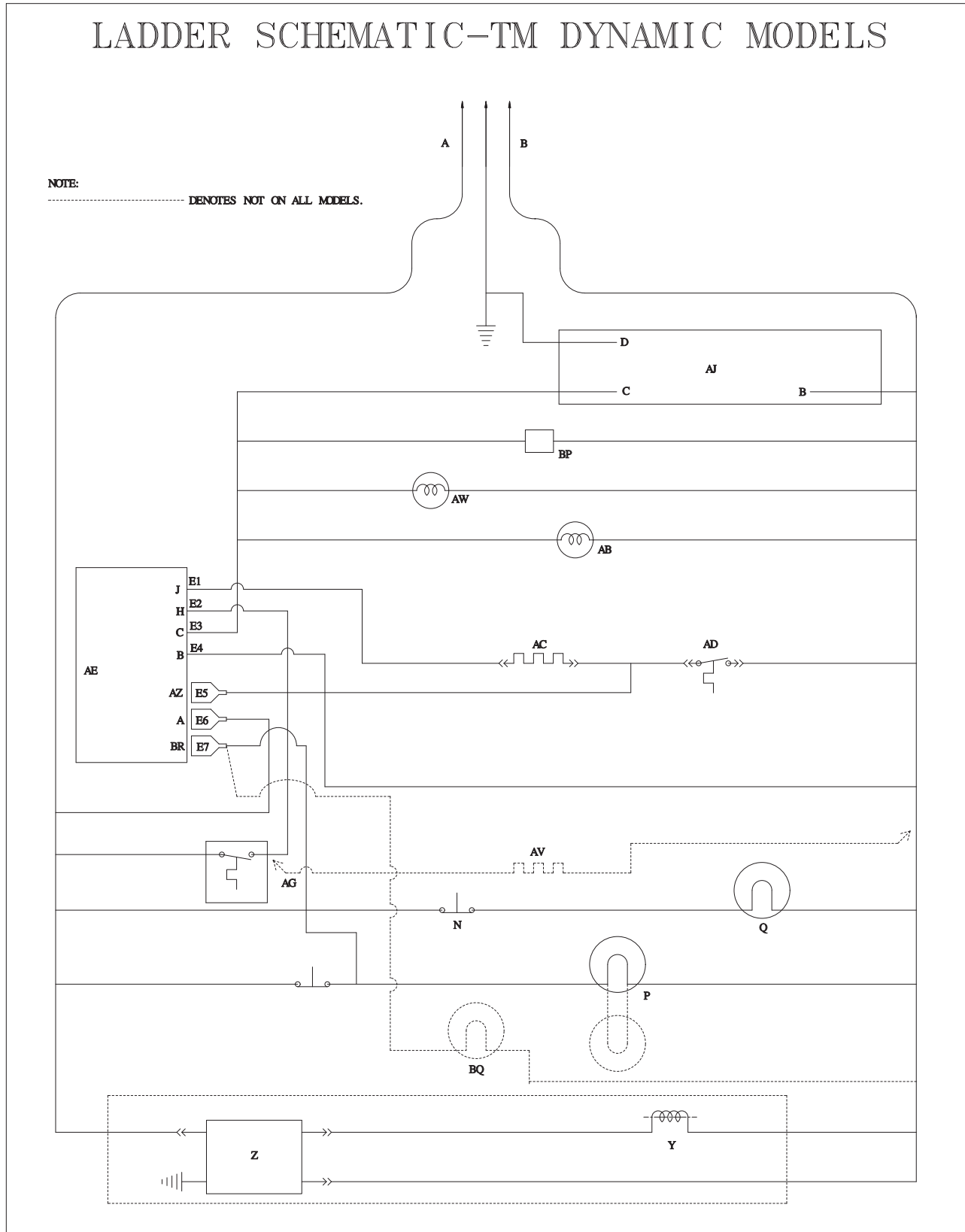
---

**SYSTEM**

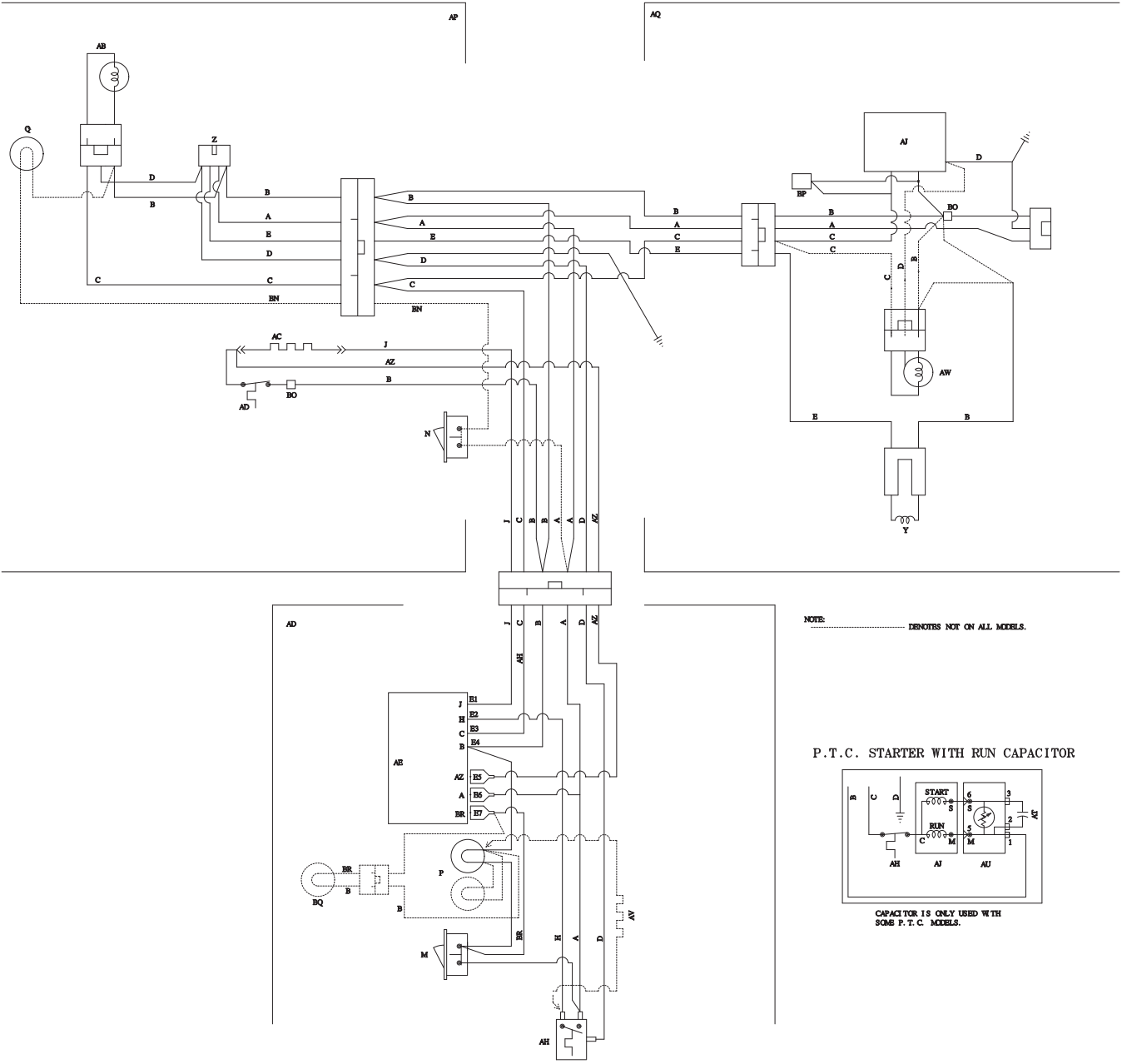

---

POS. NO	PART NO.	DESCRIPTION
1 #	241785405	Condenser, dynamic
4 #	242047603	Dryer-filter
6 #	241723307	Cord-service, Britain
6* #	241626401	Harness-wiring, machine compt
6* #	241735901	Bracket Assembly, receptacle, service cord
6* #	241832401	Harness-wiring
6* #	242081702	Wiring Harness, control box
14 #	240356218	Defrost Heater, 220 V
15 #	5303918274	Evaporator Kit
16	5308000110	Strap-evap/heater, aluminum, (2)
17	241801301	Trough-drain
19	242320401	Shield, heat, evap block
20	242238401	Block, evaporator, RH
20A	242238301	Block, evaporator, LH
21	5303918202	Thermostat-defrost, kit
22	241665504	Base-compressor
22*	218252201	Screw, #8 truss hd, 10-32CA x 0.500
22*	218709101	Screw, hex head, 10-32 x 0.500
23	218513300	Grommet-compr mtg, (4)
24	241812301	Washer-compr mtg
25	242037701	Clip-compressor mtg
26	241697602	Pan-defrost
29 #	240550927	Compressor
30 #	241707714	Starter-PTC
32	241809001	Clamp, elec cont mtg, compressor
34	240405201	Grommet, rubber, black, cond tube/wire
45	5304455650	Screw, hex washer head, 8-15A x 0.625, Low Profile
55 #	218909908	Capacitor, run
57	240542601	Clip-wiring harness
58	218897002	Screw, hex washer head, 8-32 x 0.375
59	241935603	Shroud, cond fan motor
59*	240346701	Tape-foam seal, shroud
59*	240359403	Screw-fan shroud, (2)
60 #	241696603	Motor-condenser fan
61 #	240524102	Fan Blade, condenser fan
82	5304418225	Roller, compressor base, rear, (2)
83	5304455655	Rivet, flat head, 1/4 OD x 1-3/4, roller pin
84	240597301	Tube-drain, lower
85	241856901	Tube-connector, suction
*	240396801	Clamp, tube/wiring, nylon, black/natural
* #	5303918330	Heat Exchanger Kit, suction line, service

WIRING SCHEMATIC

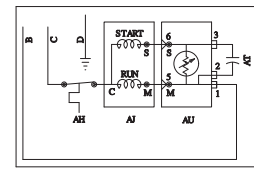


### WIRING DIAGRAM



NOTE: ..... DENOTES NOT ON ALL MODELS.

#### P.T.C. STARTER WITH RUN CAPACITOR



CAPACITOR IS ONLY USED WITH SOME P.T.C. MODELS.

241845601